

NEWNEX PROPRIETARY

THIS DOCUMENT AND THE DATA DISCLOSED HEREIN OR WITHIN IS NOT TO BE REPRODUCED, USED, OR DISCLOSED IN WHOLE OR PART TO ANYONE WITHOUT THE WRITTEN PERMISSION OF NEWNEX

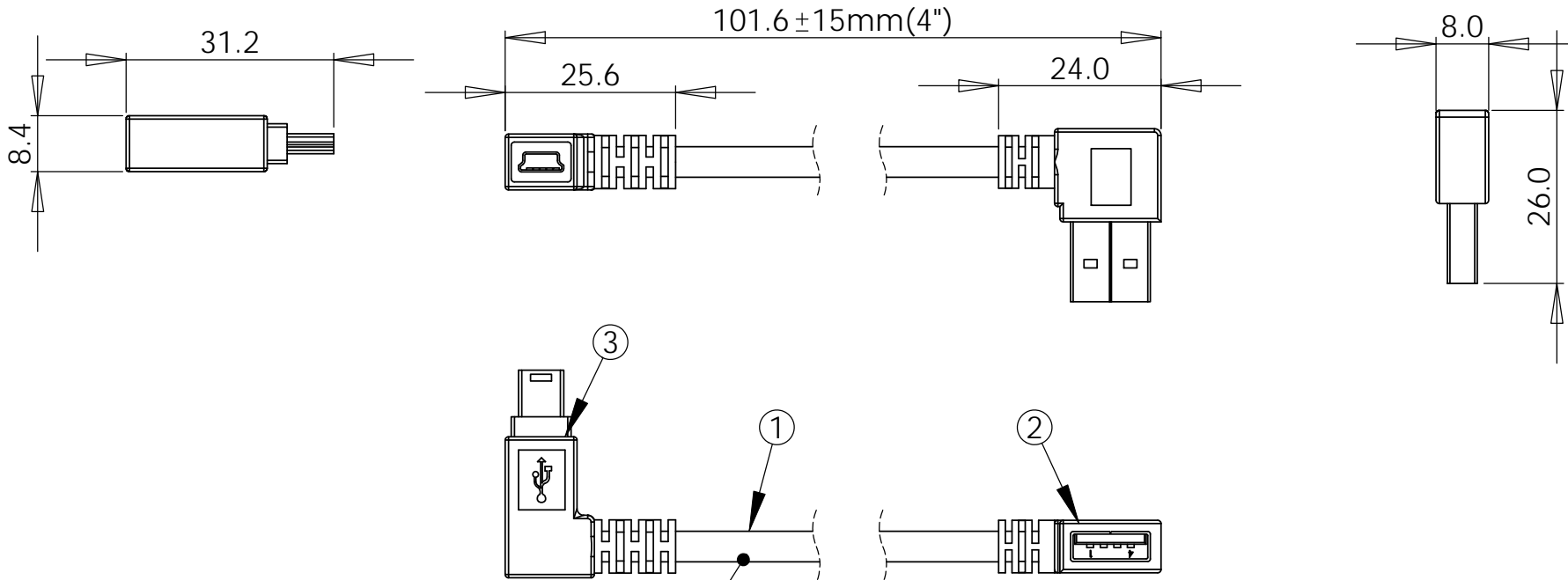
COMPANY NAME

CUSTOMER SIGNATURE

DATE

COMMENTS:

NOTE: Orientation of Connectors Must Match Drawing



NOTE: 28/28AWG

Notes:

1. Cable: USB 2.0 28/28AWG Black PVC Jacket;
2. Connector: USB 2.0 A Male;
3. Connector: USB 2.0 Mini B Male;
4. Packaging: 1 Piece + PE bag.

Newnex Technology Corp.



UNLESS OTHERWISE SPECIFIED DIMENSIONS ARE IN MILLIMETERS TOLERANCES ARE:		PROJ	TITLE: USB 2.0 28/28AWG AR04T to MBR1 4" Black	
FRACTIONS	DECIMALS	ANGLES	SCALE: 1:1	REV: A
±NA	X± 0.5 XX± 0.25 XXX± 0.125	±0°5'	DATE: 05/17/12	DRAWN BY: CW
PART NUMBER: UH2AR4TMBR1-04		CHECKED BY: BC		APPROVED BY: TM
REVISION COMMENTS: Drawing Generated				